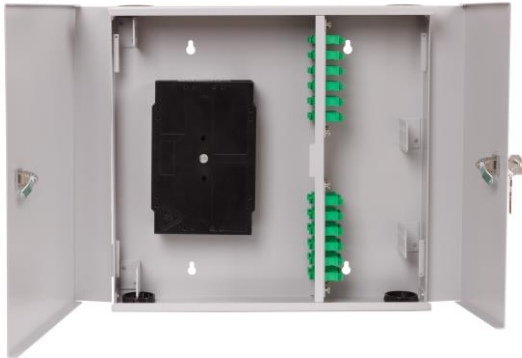


# Wall Mount MPIC - Interconnect Cabinet

## Description

The double-door Premise Interconnect Cabinet (MPIC) is available from 6 to 96 fiber capacities. The cabinet is ideal in building entrance terminals, telecommunications closets, computer rooms and other controlled environments where space is limited. This double door cabinet provides segregated access for the end-user and the installer. Both doors are fully removable from base, which allows easy access during installation works and optical network reconfiguration. End-users can reconfigure the connections without exposing the installation workspace. The cable strain-relief is facilitated with dual cable tie "brackets".



## Features

- Protection for facility and user connections
- For FTTH use - holder for micro tubes included
- Removable door – easy access for optical network installation and reconfiguration
- Aluminum material – low weight and shipment costs
- Bend radius protection allows management and rearrangement cable of slack
- Strain-relief for multiple inbound cables
- Labels provided for system documentation
- Optional kit adapts cabinet splice tray
- Durable powder coat finish
- Bonding and grounding stud provided
- Jumper strain relief brackets for outbound cable
- Passed the seismic tests according to ASME standards
- Approved for construction of Nuclear Power Plant Components

## Technical specifications

PART NUMBER	FIBER CAPACITY <sup>1</sup>		DIMENSIONS (HxWxD) mm	SHIP WGT (kg)
	CNPM-XX-06	CNPM-XX-08		
<b>MPIC-4</b>	24/48	32/64	325 x 360 x 73	1.5
<b>MPIC-6</b>	36/72	48/96	455 x 360 x 73	2.0
<b>MPIC-8</b>	48/96	64/128	595 x 360 x 73	2.5

### Note:

1) Fiber capacity is valid for standard connector types and depends on connector adaptor type, e.g. in the case DLC it is double capacity. Under the condition that in splice trays then instead of standard protection sleeves there are used smaller and thinner sleeves and there are used 2 lines in one splice holder.

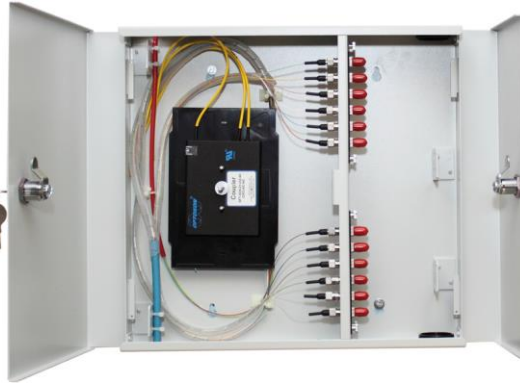
Coupling panels CNPM series (see Data Sheet CMS\_24-01\_EN-CNPM) available for the common used connector adapter types in following configuration:

CNPM-XX-06      6 pcs ST, FC, SC, E2000, LC ... adapters  
 CNPM-XX-08      8 pcs ST, FC, SC, LC ... adapters

## Product information and specification



MPIC-4 – General view



MPIC-4 – Equipped demo

### Standard Equipment:

- Mounting kit MK-1 contains*
- 8x Tightening strap 100 x 2.5 mm
  - 2x Tightening strap 190 x 4.8
  - 4x Cable guide
  - 1x 0.6 m Wrapping spiral 6/8
  - 1x 0.6 m Wrapping spiral 10/11
  - Installation manual




Removable door detail view



Internal layout (back view)

## Ordering Code

MPIC-X - XX - XX(F)<sup>1</sup> X - X X - LM /A

<b>Version</b> <b>MPIC-4</b> <b>MPIC-6</b> <b>MPIC-8</b>	<b>Fiber Capacity</b> <b>6, 12, .... fibers</b>	<b>Key Lock in Front Doors<sup>2</sup></b> 
<b>Coupling Type</b> <b>ST</b> ST <b>M</b> Multimode <b>SC(F)</b> SC <b>S</b> Singlemode <b>FC</b> FC <b>A</b> APC <b>E2(F)</b> LSH (E2000) <b>DSC(F)</b> Duplex SC <b>DLC(F)</b> Duplex LC <b>MU</b> MU <b>MJ</b> MT-RJ		<b>X - Fiber Termination Option</b> <b>B</b> Bend Radius Protectors <b>C</b> Splice Cassette for 12 Splicing  <b>X - Number of Splice Cassettes</b> <b>0</b> No Cassette <b>1 - 6</b> Number of Splice Cassettes (MPIC-4, MPIC-6) <b>1 - 12</b> Number of Splice Cassettes (MPIC-8)

Note: 2) Different keys are possible for the separation two sections of MPIC (Fiber owner and ISP side), please contact factory

Note: 1) "F" – fixed adaptors by screws



MPIC- 4



MPIC- 6



MPIC- 8