

Plug-Type (Male/Female) Attenuators CBA series – Singlemode

Description:

The plug-type CBA series singlemode attenuators are used directly on the ends of fiberoptic jumpers prior to installation in adapters. These attenuators provide a fixed level of attenuation at defined wavelength. The CBA series singlemode attenuators are available for SC, FC and ST connector types. Operational wavelength range is 1310 nm or 1550 nm.



Features:

- Precise attenuation
- Singlemode applications
- Operational wavelength 1310 nm or 1550 nm
- Attenuation range 2 – 30 dB
- Easy installation
- High power endurance

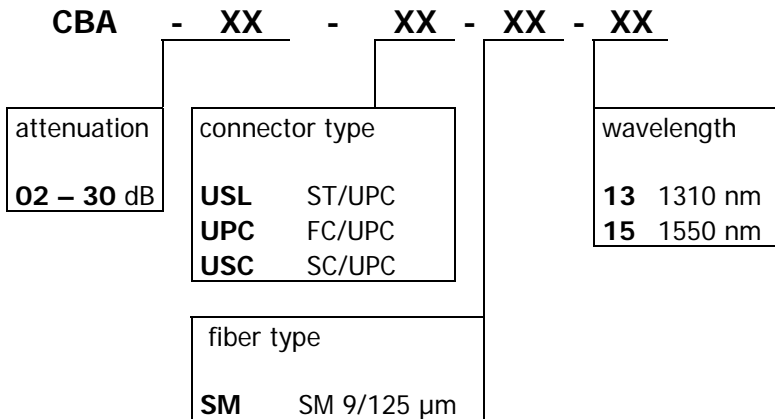
Application:

- Fiberoptic systems
- Receiver padding for optical receiver protection
- Optical power equalization
- Linearity and dynamic range testing in laboratory equipment
- Optical margin testing
- BER testing

Specifications:

Parameter	
Attenuation range	2 -30 dB
Operational wavelength	1300 or 1550 nm
Stability	
attenuation range 2 to 5 dB	±0.8 dB
attenuation range 6 to 10 dB	±1.0 dB
attenuation range > 10 dB	±10 %
Return loss	>50 dB
Power durability	150 mW
Operating temperature	-25 to 70 °C
Storage temperature	-40 to 80 °C

Ordering Code:



Samples of Attenuators



CBA-10-UPC-SM-13



CBA-10-USC-SM-13



CBA-10-USL-SM-13

ST® is trademark of Lucent Technologies, Inc.